

# EMI Filter

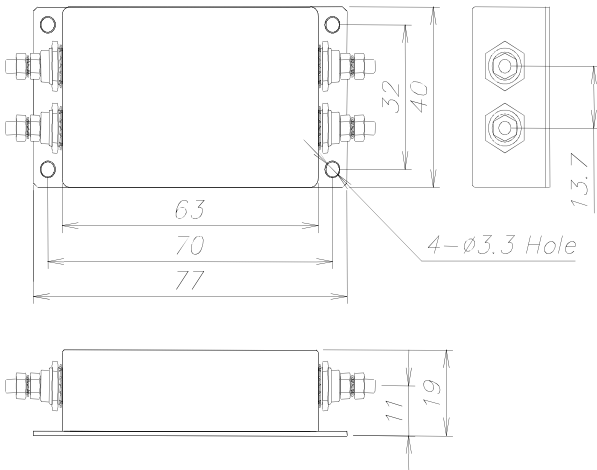
## AV2-Series



- Excellent filtering characteristics
- MIL, Industrial equipments.
- DC 28V (Option : DC100V )
- 10KHz~3GHz
- 45°C ~ +125°C

MODEL NO	Rated Current	Line	Attenuation Characteristics (MIL-STD-220B)
AV2-E005D	5A	2	10kHz : 60dB 100kHz~3GHz : 100dB
AV2-E010D	10A		10kHz : 50dB 100kHz~3GHz : 100dB
AV2-E020D	20A		10kHz : 40dB 100kHz~3GHz : 100dB

### Shapes & Dimensions



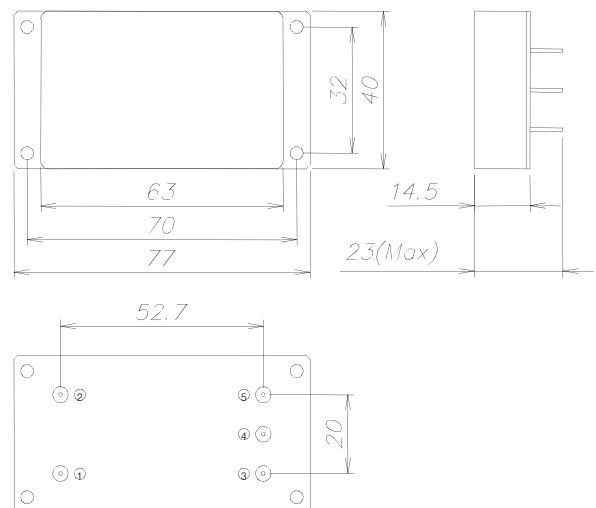
## BP2-Series



- PCB Mounting Type
- MIL, Industrial equipments.
- DC 28V (\*\*D) / 100V (\*\*F)
- 10KHz~30MHz

MODEL NO	Rated Current	Line	Attenuation Characteristics (MIL-STD-220B)
BP2-M001D/F	1A	2	10kHz : 25dB 1MHz~30MHz : 60dB
BP2-M005D/F	5A		10kHz : 20dB 1MHz~30MHz : 60dB
BP2-M010D/F	10A		10kHz : 15dB 1MHz~30MHz : 60dB

### Shapes & Dimensions



- 본 제품은 성능의 향상을 위하여 예고 없이 변경 될 수 있습니다.